

ALFRED TEVES BRAKE SYSTEMS (PTY) LTD

TECHNICAL BULLETIN

20 MARCH 2026

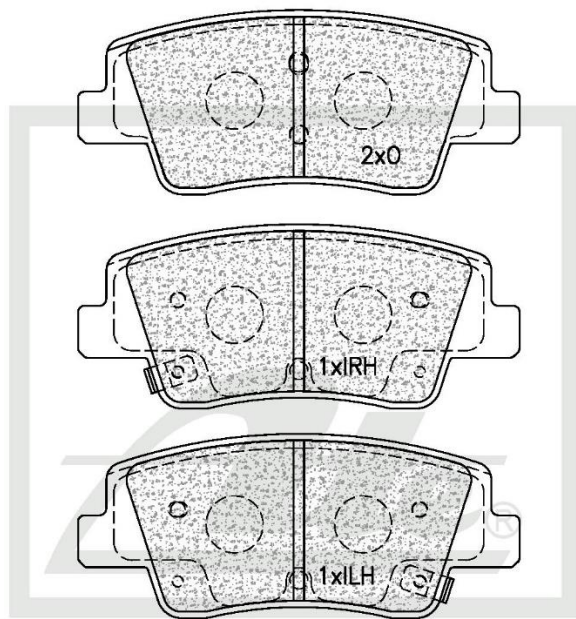
ATE1475



(ATE and Teves are registered trademarks of Continental Teves AG & Co oHG and/or its affiliates in Frankfurt Germany and other Countries)

NEW PART NUMBER

Drawing



SUPPLIED WITH 2 X WEAR INDICATOR PADS PER SET
NOTE : L + R HANDED

← 123.6 → 51.7 → 15.4

Details of New Part

Brake Pad – Rear

Product Dimensions

Length – 123.6mm

Height – 51.7mm

Thickness – 15.4mm

Package Dimensions

Weight – 1195.2g

L – 157.85mm

W – 129.89mm

H – 55.26mm

Barcode



Front Position Rear

HYUNDAI STARIA 2.2 CRDi, 2.2 CRDi AWD, 3.5 MPi 2021-.



CALL NOW TO ORDER YOUR STOCK!!!

(011) 898 1800

Picture(s) of the vehicle(s) that this part is suitable for



www.ate.co.za

"Single Minded about YOUR Safety"